

CLITE 2IR

Technical Specification



Search light body

Housing	255 x 565 x 526 mm (LxWxH)
Swing (to be kept free)	Horizontal Ø 589 mm, vertical Ø 526 mm
Weight searchlight body	29 kg
Housing material LED-modules	Seawater resistant aluminium
Housing material searchlight body	Acid proof stainless steel 1.4401 in critical structural parts.
Coating	Powder coat white RAL 9016
Rubber dampers	4 pcs, 32 x 33 mm, for vibrations and shock
Electrical motors	2 for movements, 5000 hours
Protection class	IP66
Effect (LED)	2x250W, average life 100 000 hours
Color Temp	6300 K
Color rendering index	70 (minimum)
Light intensity	2,4 M candela
Range	1 Lux at 1500m
Light angle	5,7°
Horizontal rotation	Unlimited movement
Vertical movement	Unlimited movement
Speed both axis	Stepless, max 33°/s
Operation temperature	-40°C to +55°C
Relative humidity	100 %

Electronic box

Measurements	300 x 250 x 150 mm
Weight	6 kg (EBOX 24VDC) 11kg (EBOX 100-240VAC)
Material	Coated steel
Coating	Powder coat grey RAL 7035
Protection class	IP22, for indoor installation, fan cooled
Supply voltage	100-240VAC 50-60Hz
Power consumption	650W (max load EBOX 24VDC) 850W (max load EBOX 100-240VAC)
Position of fan openings	EBOX 100-240VAC-Bottom (air in) and Upper right side (air out) EBOX 24VDC-Fanless
No. of cable glands	3
Operation temperature	+5°C to +45°C
Relative humidity	20 % to 90 %, non-condensing

Remote control

Cover plate	158 x 116 mm (LxW)	
Body	13x9x6 cm (LxWxH)	
Weight	0,5 kg	
Supply voltage	9-28 VDC (max 200 mA @ 24V)	
Protection class	IP56	
Display	TFT (colour), adjustable brightness, 50 x 38 mm, 2,4"	
Functions	Direct controlled	Menu controlled
Direct controlled	Light on/off	System activation
	Dimlevel 75%, 50%, 25%	Parking mode
	Rotation speed, stepless	User settings
		System information
		Language selections

Cabling

Electr. box > searchlight	Halogen-free shielded flexible control cable 4 x 2 x 1 mm ²
Controls > electr. box	Ethernet CAT5-FTP
Electr. box > searchlight	5G4 shielded
Searchlight > video monitor	Halogen-free ETHERLINE® Cat.5 FD BK 4x2xAWG26/19

Thermal Unit

Camera core type	FLIR (uncooled longwave thermal imager)	
Lens	25mm ^{*1}	
Field of view	13x10 degrees	
Video output	Analog Channel Composite Video (Male RCA connector) PAL (Standard), NTSC (selectable).	
Camera type	FLIR Tau 2, 336 (standard)	FLIR Tau 2, 640 (optional)
Detector resolution	336x256, 17µm	640 x 512, 17µm
Video resolution	640 x 480 (NTSC); 640 x 512 (PAL) ^{*2}	
Refresh rate	25 Hz (PAL), 30 Hz (NTSC)	
Detection man/vessel	800m / 2000m	
Recognition man/vessel	200m / 550m	
Identification man/vessel	100m / 300m	

^{*1} Other lens types available upon request

^{*2} Tau 336 & 324 analog video is upsampled & interpolated to 640 x 480 for NTSC, and to 640 x 512 for PAL

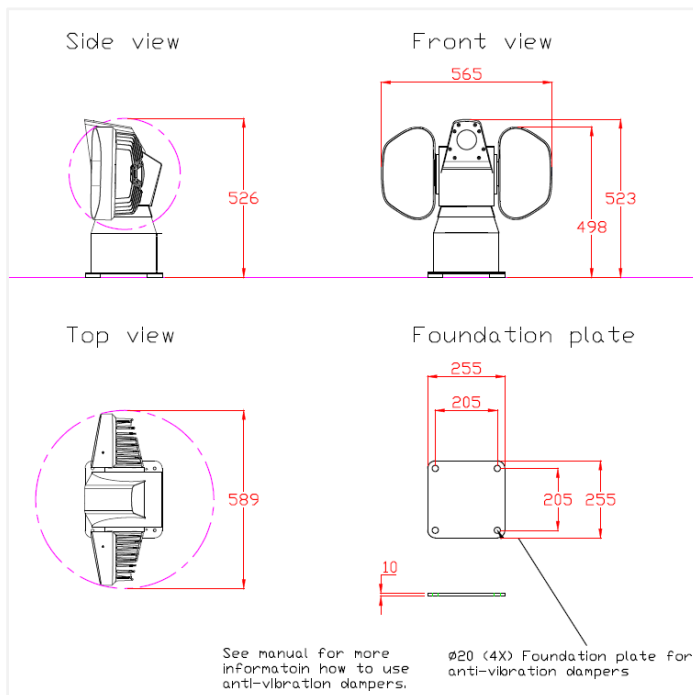
Mechanical

Technology	Menu controlled tilt function
Horizontal movement	Unlimited movement together with searchlight
Frontglass material	Germanium window with heat foil
Vertical movement	+/- 20 degrees
Speed horizontal movement	See information on each searchlight model

Camera functions, menu controlled from panel

Camera power	On/Off
Tilt function	Up/Down with graphical indicator
Focus	X2 X4
Color palettes	White Hot Black Hot Fusion Rainbow Glowbow Ironbow 1 Ironbow 2 Sepia Color 1 Color 2 Ice Fire Rain

Dimension



Optional hardware

- Wireless radio control
- Extra remote panel (s)
- Ethernet switch, 5 port and 8 port
- Upside-down installation
- Fiber optic control cable
- Customized color
- Wet paint (AWL grip or similar)