

CLITE 2

Technical Specification



Search light body

Housing	255 x 565 x 498 mm (LxWxH)
Swing (to be kept free)	Horizontal Ø 589 mm, vertical Ø 526 mm
Weight searchlight body	28 kg
Housing material LED-modules	Seawater resistant aluminium
Housing material searchlight body	Acid proof stainless steel 1.4401 in critical structural parts.
Coating	Powder coat white RAL 9016
Rubber dampers	4 pcs, 32 x 33 mm, for vibrations and shock
Electrical motors	2 for movements, 5000 hours
Protection class	IP66
Effect (LED)	2x250W, average life 100 000 hours
Color Temp	6300 K
Color rendering index	70 (minimum)
Light intensity	2,4 M candela
Range	1 Lux at 1500m
Light angle	5,7°
Horizontal rotation	Unlimited movement
Vertical movement	Unlimited movement
Speed both axis	Stepless, max 33°/s
Operation temperature	-40°C to +55°C
Relative humidity	100 %

Electronic box

Measurements	300 x 250 x 150 mm
Weight	6 kg (EBOX 24VDC) 11kg (EBOX 100-240VAC)
Material	Coated steel
Coating	Powder coat grey RAL 7035
Protection class	IP22, for indoor installation, fan cooled
Supply voltage	100-240VAC 50-60Hz
Power consumption	650W (max load EBOX 24VDC) 850W (max load EBOX 100-240VAC)
Position of fan openings	EBOX 100-240VAC-Bottom (air in) and Upper right side (air out) EBOX 24VDC-Fanless
No. of cable glands	3
Operation temperature	+5°C to +45°C
Relative humidity	20 % to 90 %, non-condensing

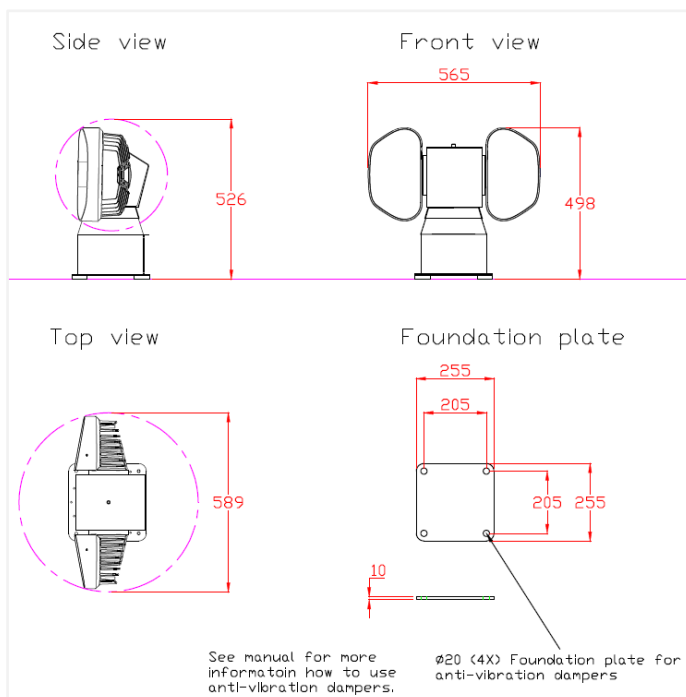
Remote control

Cover plate	158 x 116 mm (LxW)	
Body	13x9x6 cm (LxWxH)	
Weight	0,5 kg	
Supply voltage	9-28 VDC (max 200 mA @ 24V)	
Protection class	IP56	
Display	TFT (colour), adjustable brightness, 50 x 38 mm, 2,4"	
Functions	Direct controlled	Menu controlled
Direct controlled	Light on/off	System activation
	Dimlevel 75%, 50%, 25%	Parking mode
	Rotation speed, stepless	User settings
		System information
		Language selections

Cabling

Electr. box > searchlight	Halogen-free shielded flexible control cable 4 x 2 x 1 mm ²
Controls > electr. box	Ethernet CAT5-FTP
Electr. box > searchlight	5G4 shielded

Dimension



Optional hardware

- Wireless radio control
- Extra remote panel (s)
- Ethernet switch, 5 port and 8 port
- Upside-down installation
- Fiber optic control cable
- Customized color
- Wet paint (AWL grip or similar)