



DGPS RECEIVER

DGPS 224

(JLR-4341)



- Internal Differential Beacon Receiver
- Capable of SBAS (WAAS/EGNOS/MSAS) correction
- RAIM function is available
- 12-Channel Parallel for simultaneous reception of 12 satellites
- IEC61162-1, NMEA0183 Output



Japan Radio Co., Ltd.

FEATURES

Internal SBAS receiver

The DGPS224 includes SBAS(MSAS/WAAS/EGNOS) receiver. By using SBAS you can achieve precise position.

Internal Differential Beacon Receiver

The DGPS224 includes a beacon receiver and GPS receiver. By using DGPS you can achieve true DGPS accuracy.

RAIM function

The accuracy of position fixes is self-tested by the DGPS224.(RAIM function)

This function assures higher reliability to the position fix than conventional method.

12-Channel Parallel for Receiving 12 Satellites Simultaneously

The DGPS224 is designed to simultaneously receive signal from 12 orbiting satellites, ensuring the most accurate positioning. And also, typically 40 seconds for first position fixing without GPS almanac data.

IEC61162-1, NMEA0183 Output

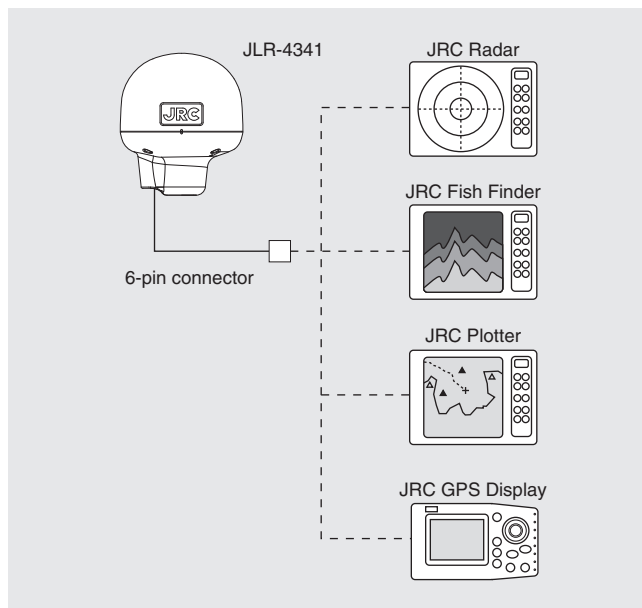
Since the output data is changeable IEC61162-1, NMEA0183 version 1.5, 2.1 and 2.3, you can connect the DGPS224 to various marine electronics equipment such as marine radars, fishfinders, plotters or others.

SPECIFICATIONS

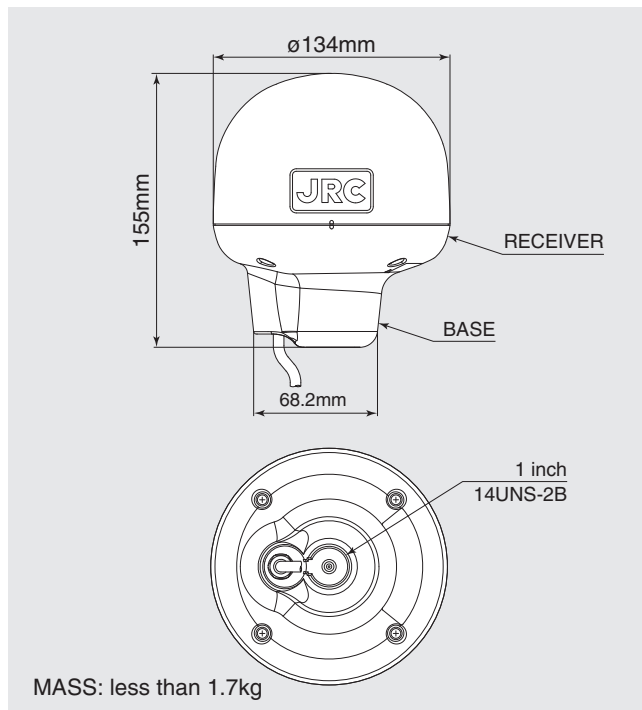
Receiver type:	Multichannel (12-CH, SBAS 1-CH) all-in-view
Frequency:	1575.42MHz±1MHz (C/A code)
Sensitivity:	-135dBm for tracking
Accuracy:	13m 2DRMS (C/A code, HDOP≤4, SA OFF) 5m 2DRMS when DGPS corrected 7m 2DRMS when SBAS corrected
Time to first fix:	Typically 40 seconds (cold start fix) Typically 33 seconds (warm start fix)
Position update:	Normally every 1 seconds
DGPS input:	RTCM SC-104 ver.2.0 type 1,2,7,9 available
Data output:	Signal output port, TTL level IEC61162-1, NMEA0183 ver.1.5/2.1/2.3 selectable IEC61162-1, ver.2.3 GGA, RMC, VTG, ZDA, DTM, GBS, GNS ver.1.5 GGA, RMC, GLL, VTG ver.2.1 GGA, RMC, GLL, VTG, DTM
Beacon frequency:	283.5~325kHz
Selection of beacon S.T:	Auto / Manual
Geodetic datum:	46 (WGS-84, WGS-72, Japan, America, Canada/Alaska, Europe, Australia, England, NAD-83, other 37)
Power:	12/24VDC +30%, -10% (less than 2.5W)
Operating temperature:	-25~+55°C

	Name	Model	Qty	Remarks
STANDARD	DGPS Receiver	JLR-4341	1	Include 15m cable with connector
	Instruction manual	7ZPNA4162	1	English
	Cable protection sheet	MPPK31468	1	
OPTION	Installation kit	7ZYNA4001A	1	
	Instruction manual	7ZPNA4161	(1)	Japanese
	Adapter	MTV302007A	(1)	
	Binding belt	MPBP30519	(1)	
	Extension cable	CFQ-9000	1	15m

SYSTEM CONFIGURATION



OUTLINE DRAWING



• Specifications may be subject to change without notice.

For further information, contact:

JRC Japan Radio Co., Ltd.
Since 1915 URL <http://www.jrc.co.jp/eng/>

Main Office: Fujisawa bldg. 30-16, Ogikubo 4-chome
Suginami-ku, Tokyo 167-8540, Japan
Telephone: +81-3-6832-1816
Facsimile: +81-3-6832-1845

Overseas Branches : Seattle, Amsterdam, Athens, Manila
Liaison Offices : Taipei, Jakarta, Singapore, Hanoi,
Shanghai, Hamburg, New York